

Appendix G

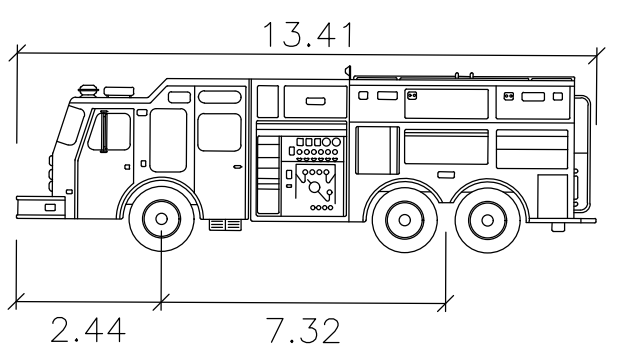
AutoTURN Swept Path Analysis



www.ghd.com

GHD Ltd.
111 Brunel Road, Suite 200
Mississauga, Ontario L4Z 1X3 Canada
T 1 905 712 0510 F 1 905 712 0515

Conditions of Use
This document and the ideas and designs incorporated herein, as an instrument of professional service, is the property of GHD. This document may only be used by GHD's client (and any other person who GHD has agreed can use this document) for the purpose for which it was prepared and must not be used by any other person or for any other purpose.



Pumper Fire Truck

	Width	Track	Lock to Lock Time	Steering Angle
	: 2.59	: 2.59	: 6.0	: 37.8

No.	Issue	W.M	W.M	12/10/24
1	First Submission	Checked	Approved	Date

Author	S.B	Designer	S.B
Drafting Check	W.M	Design Check	W.M
Project Manager	W.M	Project Director	W.M

Client	-
--------	---

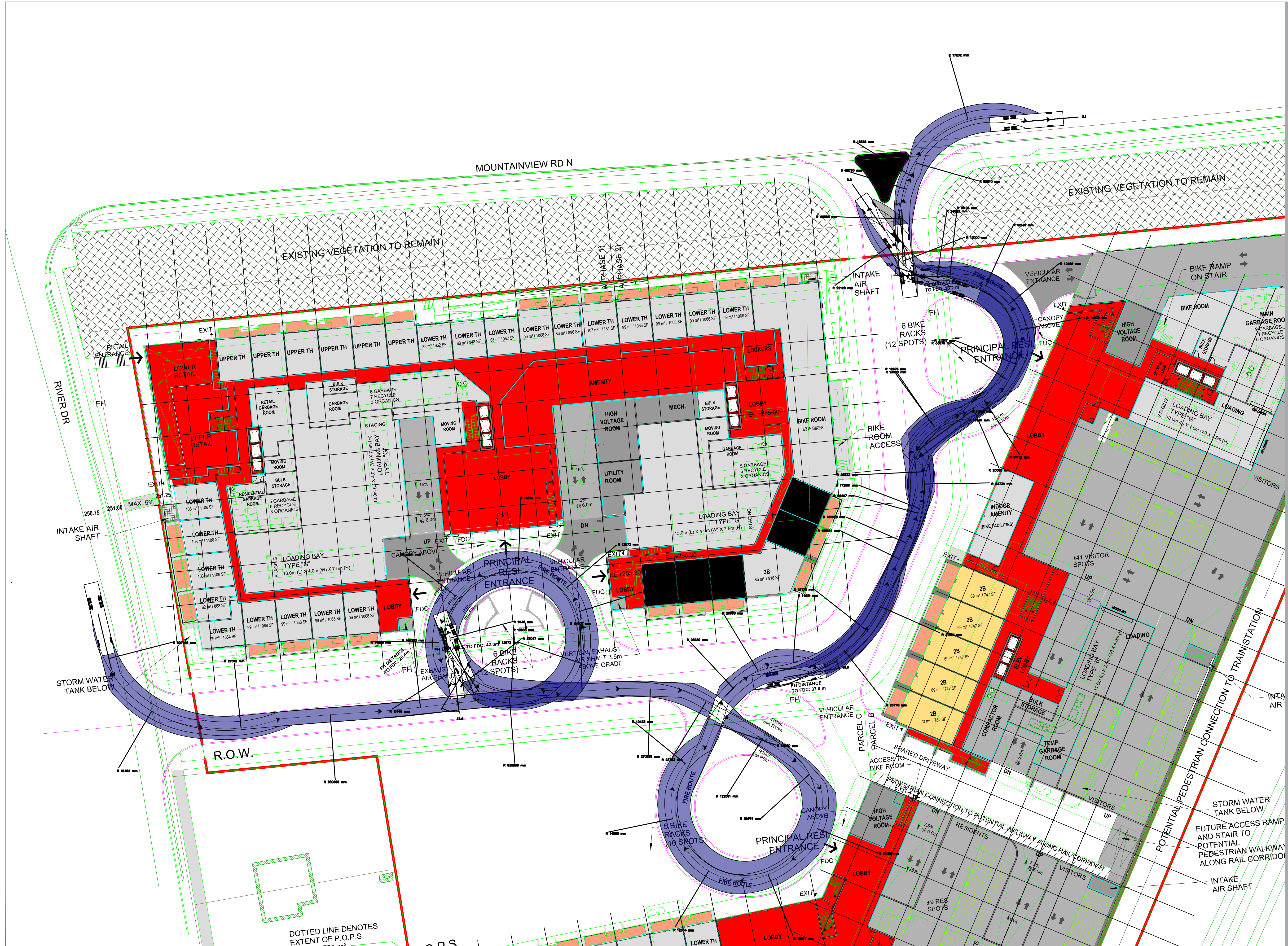
Project 130 Mountainview Road North

Date	December 10, 2024	Scale	NTS
------	-------------------	-------	-----

Project No.	-
-------------	---

Title	VEHICLE MANEUVERING DIAGRAM - FIRE TRUCK (CIRCULATION)	Size	ANSI D
-------	--	------	--------

Sheet No. AT-101

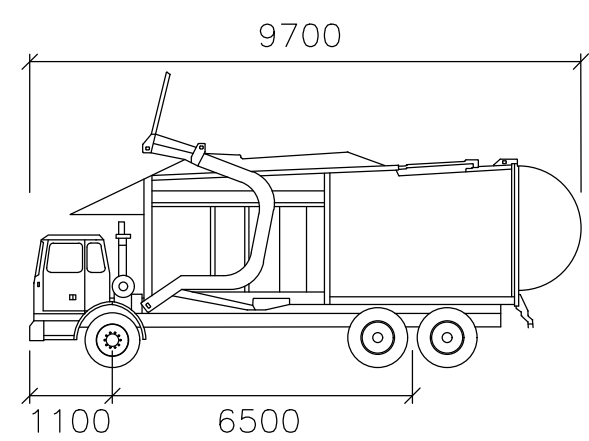




www.ghd.com

GHD Ltd.
111 Brunel Road, Suite 200
Mississauga, Ontario L4Z 1X3 Canada
T 1 905 712 0510 F 1 905 712 0515

Conditions of Use
This document and the ideas and designs incorporated herein, as an instrument of professional service, is the property of GHD. This document may only be used by GHD's client (and any other person who GHD has agreed can use this document) for the purpose for which it was prepared and must not be used by any other person or for any other purpose.



Halton-Front-End
Width : 2700 mm
Track : 2700 mm
Lock to Lock Time : 6.0
Steering Angle : 30.0

1	First Submission	W.M	W.M	12/10/24
No.	Issue	Checked	Approved	Date
Author	S.B	Designer	S.B	
Drafting Check	W.M	Design Check	W.M	
Project Manager	W.M	Project Director	W.M	

Client

Project
130 Mountainview Road North

Date December 10, 2024 Scale NTS

Project No.

Title
VEHICLE MANEUVERING DIAGRAM - WASTE (INBOUND 1)

Size ANSI D
Sheet No. AT-102

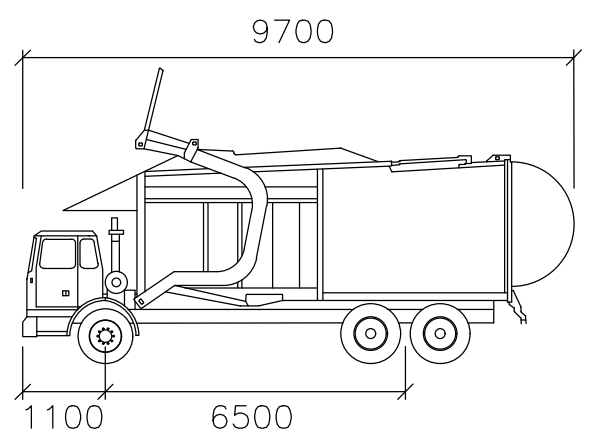




www.ghd.com

GHD Ltd.
111 Brunel Road, Suite 200
Mississauga, Ontario L4Z 1X3 Canada
T 1 905 712 0510 F 1 905 712 0515

Conditions of Use
This document and the ideas and designs incorporated herein, as an instrument of professional service, is the property of GHD. This document may only be used by GHD's client (and any other person who GHD has agreed can use this document) for the purpose for which it was prepared and must not be used by any other person or for any other purpose.



Halton-Front-End
Width : 2700 mm
Track : 2700
Lock to Lock Time : 6.0
Steering Angle : 30.0

1	First Submission	W.M	W.M	12/10/24
No.	Issue	Checked	Approved	Date
Author	S.B	Designer	S.B	
Drafting Check	W.M	Design Check	W.M	
Project Manager	W.M	Project Director	W.M	
Client				
Project	130 Mountainview Road North			
Date	December 10, 2024	Scale	NTS	
Project No.				

Title: **VEHICLE MANEUVERING DIAGRAM - WASTE (INBOUND 2)**
Size: ANSI D
Sheet No.: AT-103

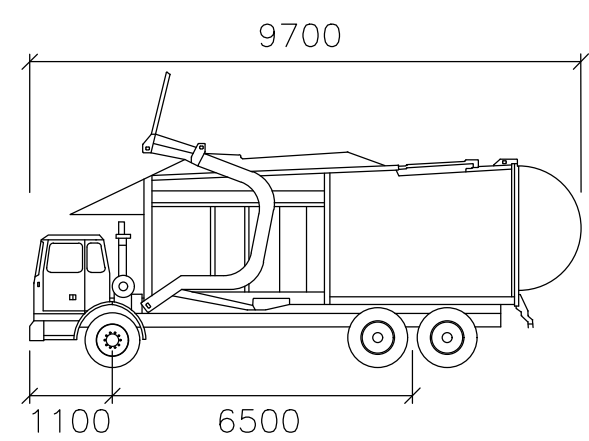




www.ghd.com

GHD Ltd.
111 Brunel Road, Suite 200
Mississauga, Ontario L4Z 1X3 Canada
T 1 905 712 0510 F 1 905 712 0515

Conditions of Use
This document and the ideas and designs incorporated herein, as an instrument of professional service, is the property of GHD. This document may only be used by GHD's client (and any other person who GHD has agreed can use this document) for the purpose for which it was prepared and must not be used by any other person or for any other purpose.



Halton-Front-End
Width : 2700 mm
Track : 2700
Lock to Lock Time : 6.0
Steering Angle : 30.0

1	First Submission	W.M	W.M	12/10/24
No.	Issue	Checked	Approved	Date

Author S.B Designer S.B

Drafting Check W.M Design Check W.M

Project Manager W.M Project Director W.M

Client

Project

130 Mountainview Road North

Date December 10, 2024 Scale NTS

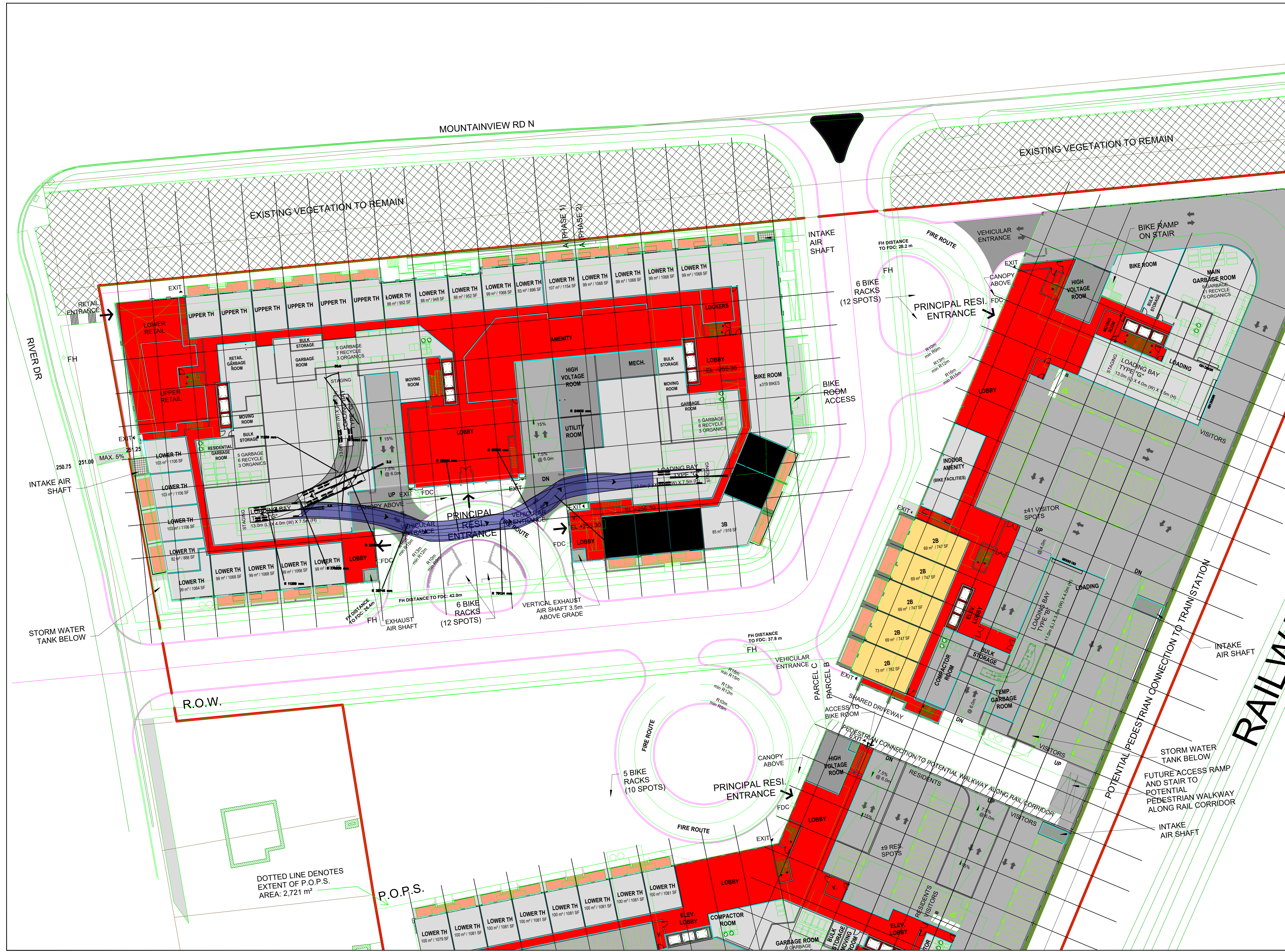
Project No.

Title

VEHICLE MANEUVERING DIAGRAM - WASTE (INBOUND 3)

Size ANSI D

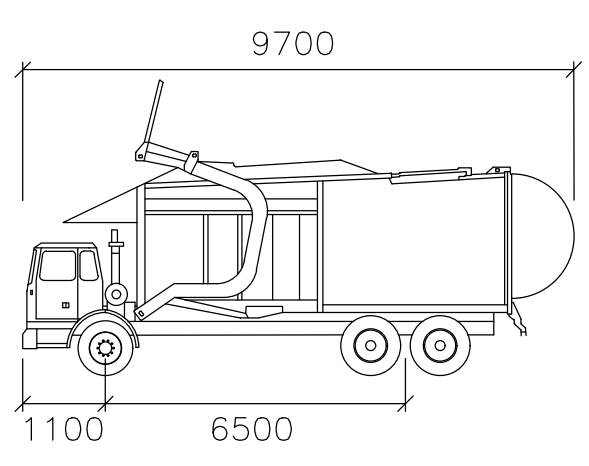
Sheet No. AT-104





GHD Ltd.
 111 Brunel Road, Suite 200
 Mississauga, Ontario L4Z 1X3 Canada
 T 1 905 712 0510 F 1 905 712 0515

Conditions of Use
 This document and the ideas and designs incorporated herein, as an instrument of professional service, is the property of GHD. This document may only be used by GHD's client (and any other person who GHD has agreed can use this document) for the purpose for which it was prepared and must not be used by any other person or for any other purpose.



Width	: 2700
Track	: 2700
Lock to Lock Time	: 6.0
Steering Angle	: 30.0

No.	Issue	W.M	W.M	12/10/24
1	First Submission	Checked	Approved	Date

Author	S.B	Designer	S.B
Drafting Check	W.M	Design Check	W.M
Project Manager	W.M	Project Director	W.M

Project
 130 Mountainview Road North

Date: December 10, 2024 Scale: NTS

Title
VEHICLE MANEUVERING DIAGRAM - WASTE (INBOUND 4)

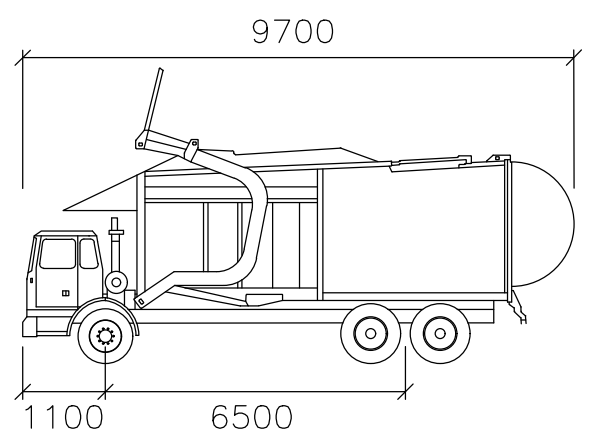
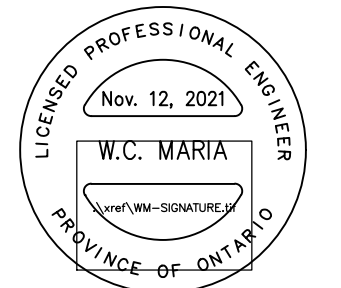
Size
 ANSI D

Sheet No.
 AT-105



GHD Ltd.
111 Brunel Road, Suite 200
Mississauga, Ontario L4Z 1X3 Canada
T 1 905 712 0510 F 1 905 712 0515

Conditions of Use
This document and the ideas and designs incorporated herein, as an instrument of professional service, is the property of GHD. This document may only be used by GHD's client (and any other person who GHD has agreed can use this document) for the purpose for which it was prepared and must not be used by any other person or for any other purpose.



Halton-Front-End
Width : 2700 mm
Track : 2700 mm
Lock to Lock Time : 6.0
Steering Angle : 30.0

No.	Issue	Checked	W.M	W.M	12/10/24	Date
1	First Submission					
	Author	S.B	Designer	S.B		
	Drafting Check	W.M	Design Check	W.M		
	Project Manager	W.M	Project Director	W.M		

Project: 130 Mountainview Road North

Date: December 10, 2024 Scale: NTS

Title: VEHICLE MANEUVERING DIAGRAM - WASTE (INBOUND 5)

Sheet No. AT-106

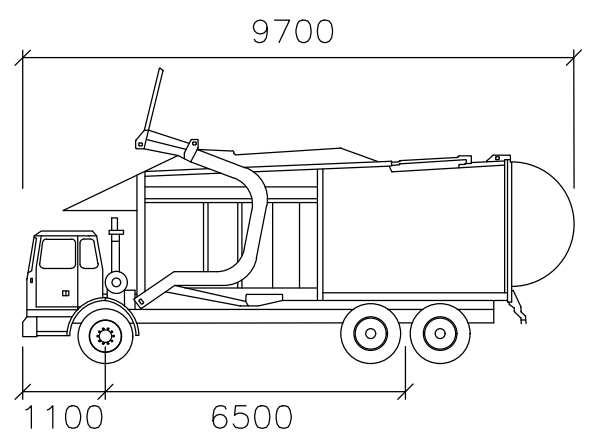




www.ghd.com

GHD Ltd.
111 Brunel Road, Suite 200
Mississauga, Ontario L4Z 1X3 Canada
T 1 905 712 0510 F 1 905 712 0515

Conditions of Use
This document and the ideas and designs incorporated herein, as an instrument of professional service, is the property of GHD. This document may only be used by GHD's client (and any other person who GHD has agreed can use this document) for the purpose for which it was prepared and must not be used by any other person or for any other purpose.



Halton-Front-End
Width : 2700 mm
Track : 2700 mm
Lock to Lock Time : 6.0
Steering Angle : 30.0

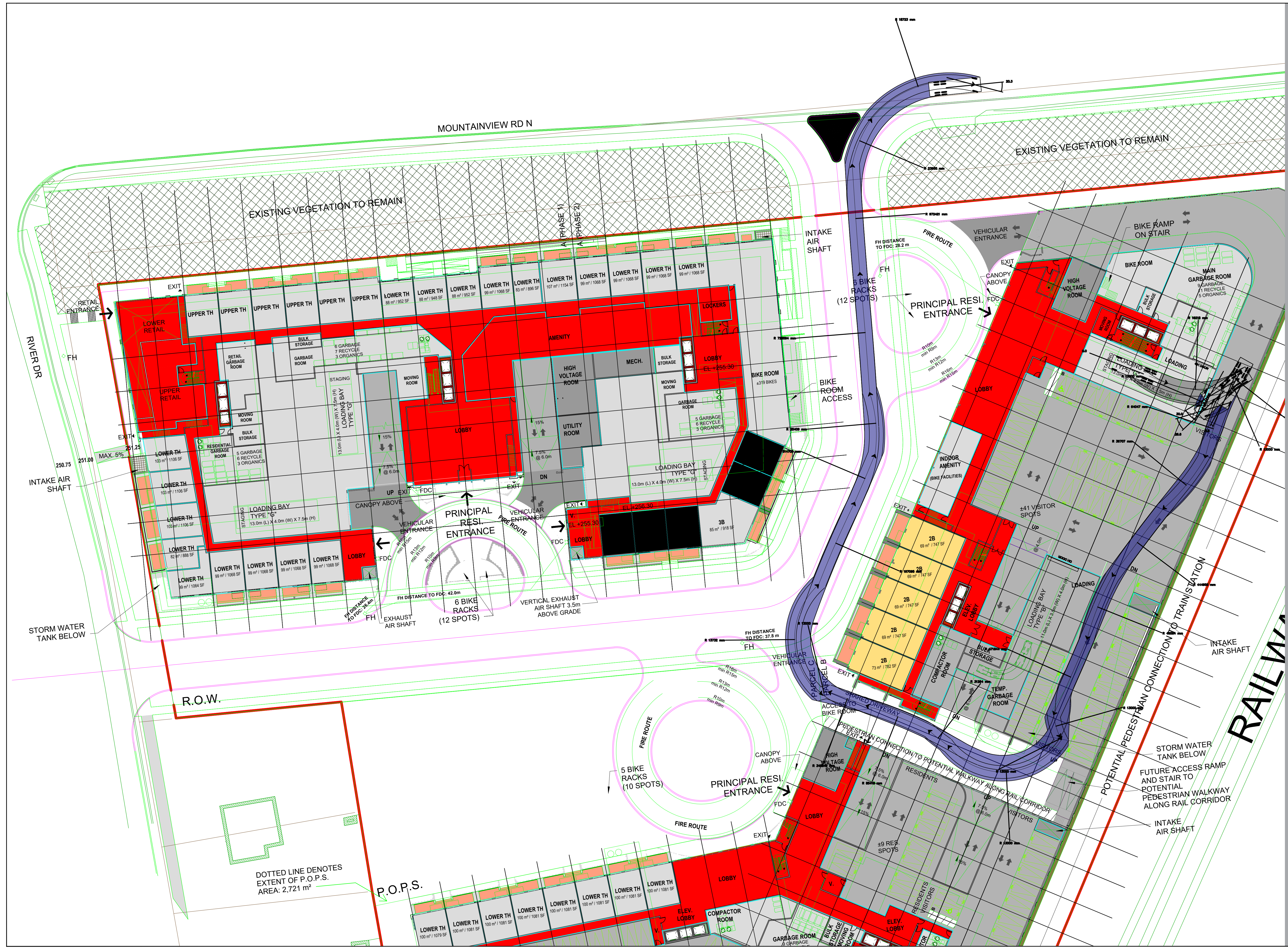
1	First Submission	W.M	W.M	12/10/24
No.	Issue	Checked	Approved	Date
Author	S.B	Designer	S.B	
Drafting Check	W.M	Design Check	W.M	
Project Manager	W.M	Project Director	W.M	

Project 130 Mountainview Road North

Date December 10, 2024 Scale NTS

Title VEHICLE MANEUVERING DIAGRAM - WASTE (OUTBOUND) Size ANSI D

Sheet No. AT-107



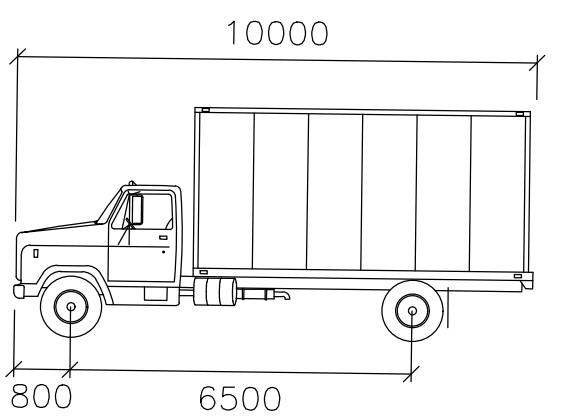
DOTTED LINE DENOTES EXTENT OF P.O.P.S. AREA: 2,721 m²



www.ghd.com

GHD Ltd.
111 Brunel Road, Suite 200
Mississauga, Ontario L4Z 1X3 Canada
T 1 905 712 0510 F 1 905 712 0515

Conditions of Use
This document and the ideas and designs incorporated herein, as an instrument of professional service, is the property of GHD. This document may only be used by GHD's client (and any other person who GHD has agreed can use this document) for the purpose for which it was prepared and must not be used by any other person or for any other purpose.



MSU
Width : 2600
Track : 2600
Lock to Lock Time : 6.0
Steering Angle : 40.2

1	First Submission	W.M	W.M	12/10/24
No.	Issue	Checked	Approved	Date

Author S.B Designer S.B

Drafting Check W.M Design Check W.M

Project Manager W.M Project Director W.M

Client

Project

130 Mountainview Road North

Date December 10, 2024 Scale NTS

Project No.

Title

VEHICLE MANEUVERING DIAGRAM - MSU (INBOUND 1)

Size ANSI D
Sheet No. AT-108

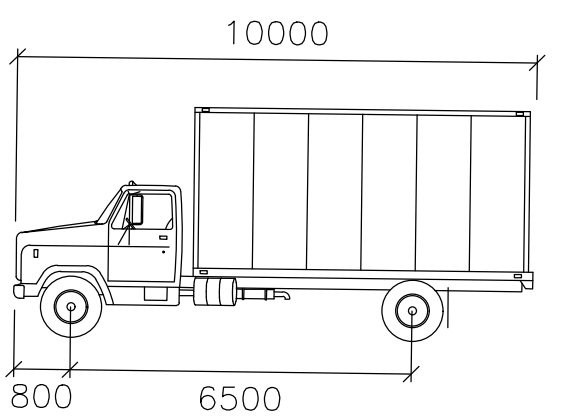




www.ghd.com

GHD Ltd.
111 Brunel Road, Suite 200
Mississauga, Ontario L4Z 1X3 Canada
T 1 905 712 0510 F 1 905 712 0515

Conditions of Use
This document and the ideas and designs incorporated herein, as an instrument of professional service, is the property of GHD. This document may only be used by GHD's client (and any other person who GHD has agreed can use this document) for the purpose for which it was prepared and must not be used by any other person or for any other purpose.



MSU
Width : 2600
Track : 2600
Lock to Lock Time : 6.0
Steering Angle : 40.2

1	First Submission	W.M	W.M	12/10/24
No.	Issue	Checked	Approved	Date
Author	S.B	Designer	S.B	
Drafting Check	W.M	Design Check	W.M	
Project Manager	W.M	Project Director	W.M	

Client

Project
130 Mountainview Road North

Date December 10, 2024 Scale NTS

Project No.

Title
VEHICLE MANEUVERING DIAGRAM - MSU (OUTBOUND 1)

Sheet No.
AT-109

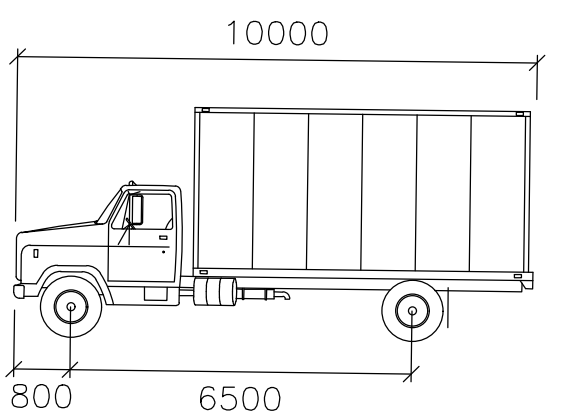




www.ghd.com

GHD Ltd.
111 Brunel Road, Suite 200
Mississauga, Ontario L4Z 1X3 Canada
T 1 905 712 0510 F 1 905 712 0515

Conditions of Use
This document and the ideas and designs incorporated herein, as an instrument of professional service, is the property of GHD. This document may only be used by GHD's client (and any other person who GHD has agreed can use this document) for the purpose for which it was prepared and must not be used by any other person or for any other purpose.



MSU
Width : 2600
Track : 2600
Lock to Lock Time : 6.0
Steering Angle : 40.2

1	First Submission	W.M	W.M	12/10/24
No.	Issue	Checked	Approved	Date

Author S.B Designer S.B

Drafting Check W.M Design Check W.M

Project Manager W.M Project Director W.M

Client

Project

130 Mountainview Road North

Date December 10, 2024 Scale NTS

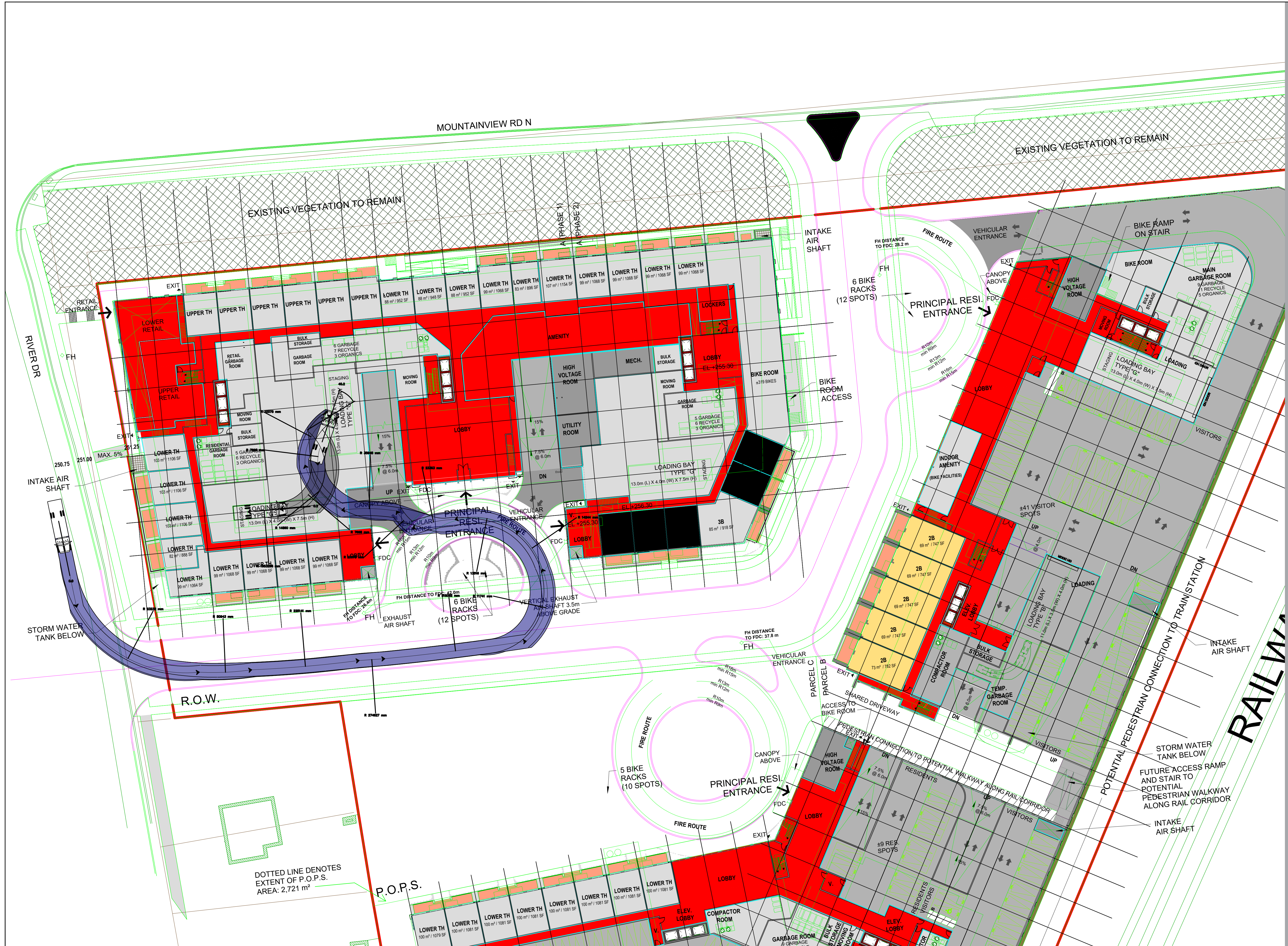
Project No.

Title

VEHICLE MANEUVERING DIAGRAM - MSU (INBOUND 2)

Size ANSI D

Sheet No. AT-110

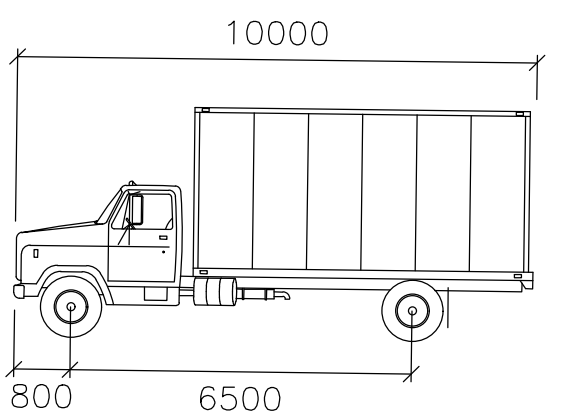




www.ghd.com

GHD Ltd.
111 Brunel Road, Suite 200
Mississauga, Ontario L4Z 1X3 Canada
T 1 905 712 0510 F 1 905 712 0515

Conditions of Use
This document and the ideas and designs incorporated herein, as an instrument of professional service, is the property of GHD. This document may only be used by GHD's client (and any other person who GHD has agreed can use this document) for the purpose for which it was prepared and must not be used by any other person or for any other purpose.



MSU
Width : 2600
Track : 2600
Lock to Lock Time : 6.0
Steering Angle : 40.2

1	First Submission	W.M	W.M	12/10/24
No.	Issue	Checked	Approved	Date
Author	S.B	Designer	S.B	
Drafting Check	W.M	Design Check	W.M	
Project Manager	W.M	Project Director	W.M	

Client

Project
130 Mountainview Road North

Date December 10, 2024 Scale NTS

Project No.

Title
VEHICLE MANEUVERING
DIAGRAM -
MSU
(OUTBOUND 2)

Size
ANSI D
Sheet No.
AT-111

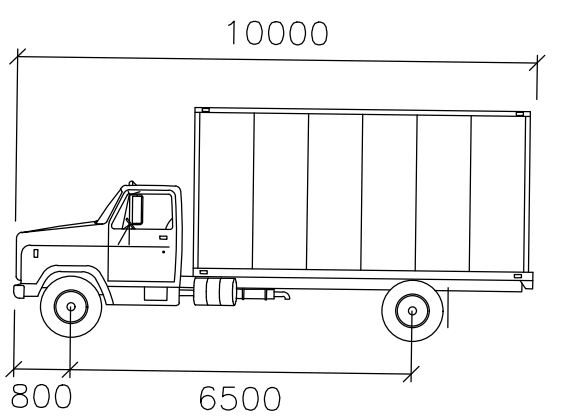




www.ghd.com

GHD Ltd.
111 Brunel Road, Suite 200
Mississauga, Ontario L4Z 1X3 Canada
T 1 905 712 0510 F 1 905 712 0515

Conditions of Use
This document and the ideas and designs incorporated herein, as an instrument of professional service, is the property of GHD. This document may only be used by GHD's client (and any other person who GHD has agreed can use this document) for the purpose for which it was prepared and must not be used by any other person or for any other purpose.



MSU
Width : 2600
Track : 2600
Lock to Lock Time : 6.0
Steering Angle : 40.2

1 First Submission W.M W.M 12/10/24

No. Issue Checked Approved Date

Author S.B Designer S.B

Drafting Check W.M Design Check W.M

Project Manager W.M Project Director W.M

Client

Project

130 Mountainview Road North

Date December 10, 2024 Scale NTS

Project No.

Title

VEHICLE MANEUVERING

DIAGRAM -

MSU

(INBOUND 3)

Size ANSI D

Sheet No. AT-112

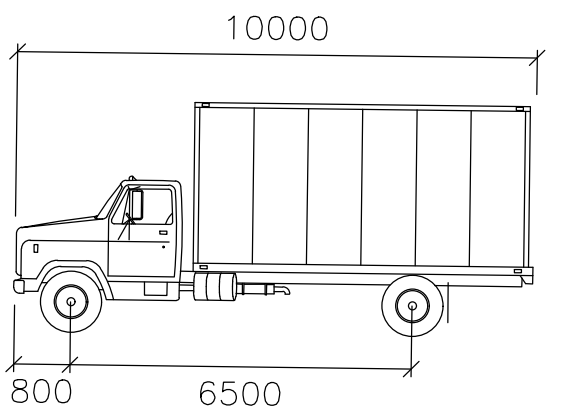




www.ghd.com

GHD Ltd.
111 Brunel Road, Suite 200
Mississauga, Ontario L4Z 1X3 Canada
T 1 905 712 0510 F 1 905 712 0515

Conditions of Use
This document and the ideas and designs incorporated herein, as an instrument of professional service, is the property of GHD. This document may only be used by GHD's client (and any other person who GHD has agreed can use this document) for the purpose for which it was prepared and must not be used by any other person or for any other purpose.



MSU
Width : 2600
Track : 2600
Lock to Lock Time : 6.0
Steering Angle : 40.2

1	First Submission	W.M	W.M	12/10/24
No.	Issue	Checked	Approved	Date

Author S.B Designer S.B

Drafting Check W.M Design Check W.M

Project Manager W.M Project Director W.M

Client

Project

130 Mountainview Road North

Date December 10, 2024 Scale NTS

Project No.

Title

VEHICLE MANEUVERING DIAGRAM - MSU (OUTBOUND 3)

Size ANSI D

Sheet No. AT-113

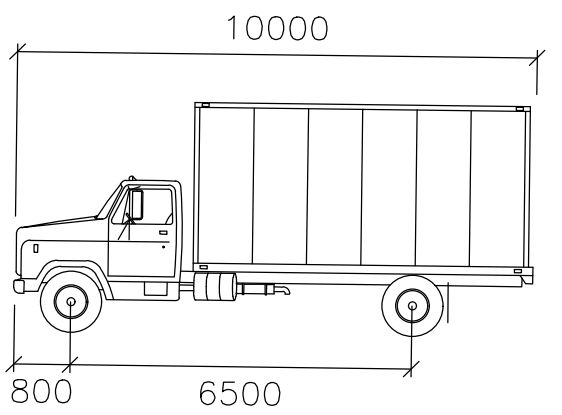




www.ghd.com

GHD Ltd.
111 Brunel Road, Suite 200
Mississauga, Ontario L4Z 1X3 Canada
T 1 905 712 0510 F 1 905 712 0515

Conditions of Use
This document and the ideas and designs incorporated herein, as an instrument of professional service, is the property of GHD. This document may only be used by GHD's client (and any other person who GHD has agreed can use this document) for the purpose for which it was prepared and must not be used by any other person or for any other purpose.



MSU
Width : 2600 mm
Track : 2600 mm
Lock to Lock Time : 6.0
Steering Angle : 40.2

1	First Submission	W.M	W.M	12/10/24
No.	Issue	Checked	Approved	Date

Author S.B Designer S.B

Drafting Check W.M Design Check W.M

Project Manager W.M Project Director W.M

Client

Project

130 Mountainview Road North

Date December 10, 2024 Scale NTS

Project No.

Title

VEHICLE MANEUVERING DIAGRAM - MSU (INBOUND 4)

Size ANSI D

Sheet No. AT-114

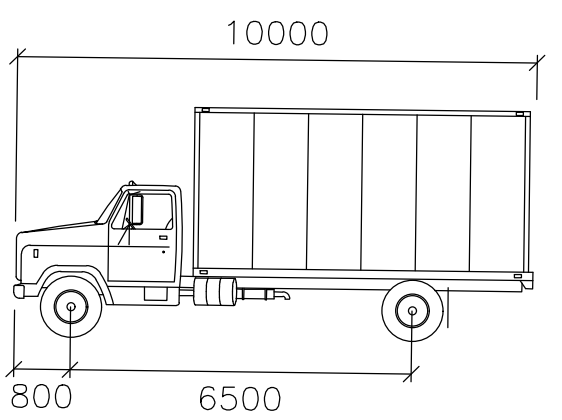




www.ghd.com

GHD Ltd.
111 Brunel Road, Suite 200
Mississauga, Ontario L4Z 1X3 Canada
T 1 905 712 0510 F 1 905 712 0515

Conditions of Use
This document and the ideas and designs incorporated herein, as an instrument of professional service, is the property of GHD. This document may only be used by GHD's client (and any other person who GHD has agreed can use this document) for the purpose for which it was prepared and must not be used by any other person or for any other purpose.



MSU
Width : 2600 mm
Track : 2600 mm
Lock to Lock Time : 6.0
Steering Angle : 40.2

1	First Submission	W.M	W.M	12/10/24
No.	Issue	Checked	Approved	Date

Author S.B Designer S.B

Drafting Check W.M Design Check W.M

Project Manager W.M Project Director W.M

Client

Project
130 Mountainview Road North

Date December 10, 2024 Scale NTS

Project No.

Title
VEHICLE MANEUVERING
DIAGRAM -
MSU
(OUTBOUND 4)

Sheet No.
AT-115

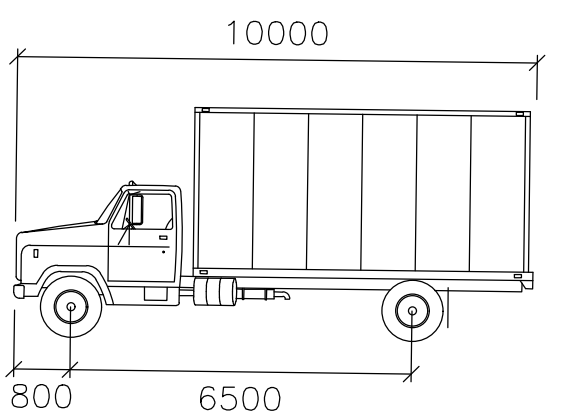




www.ghd.com

GHD Ltd.
111 Brunel Road, Suite 200
Mississauga, Ontario L4Z 1X3 Canada
T 1 905 712 0510 F 1 905 712 0515

Conditions of Use
This document and the ideas and designs incorporated herein, as an instrument of professional service, is the property of GHD. This document may only be used by GHD's client (and any other person who GHD has agreed can use this document) for the purpose for which it was prepared and must not be used by any other person or for any other purpose.



MSU
Width : 2600 mm
Track : 2600 mm
Lock to Lock Time : 6.0
Steering Angle : 40.2

1 First Submission W.M W.M 12/10/24

No. Issue Checked Approved Date

Author S.B Designer S.B

Drafting Check W.M Design Check W.M

Project Manager W.M Project Director W.M

Client

Project

130 Mountainview Road North

Date December 10, 2024 Scale NTS

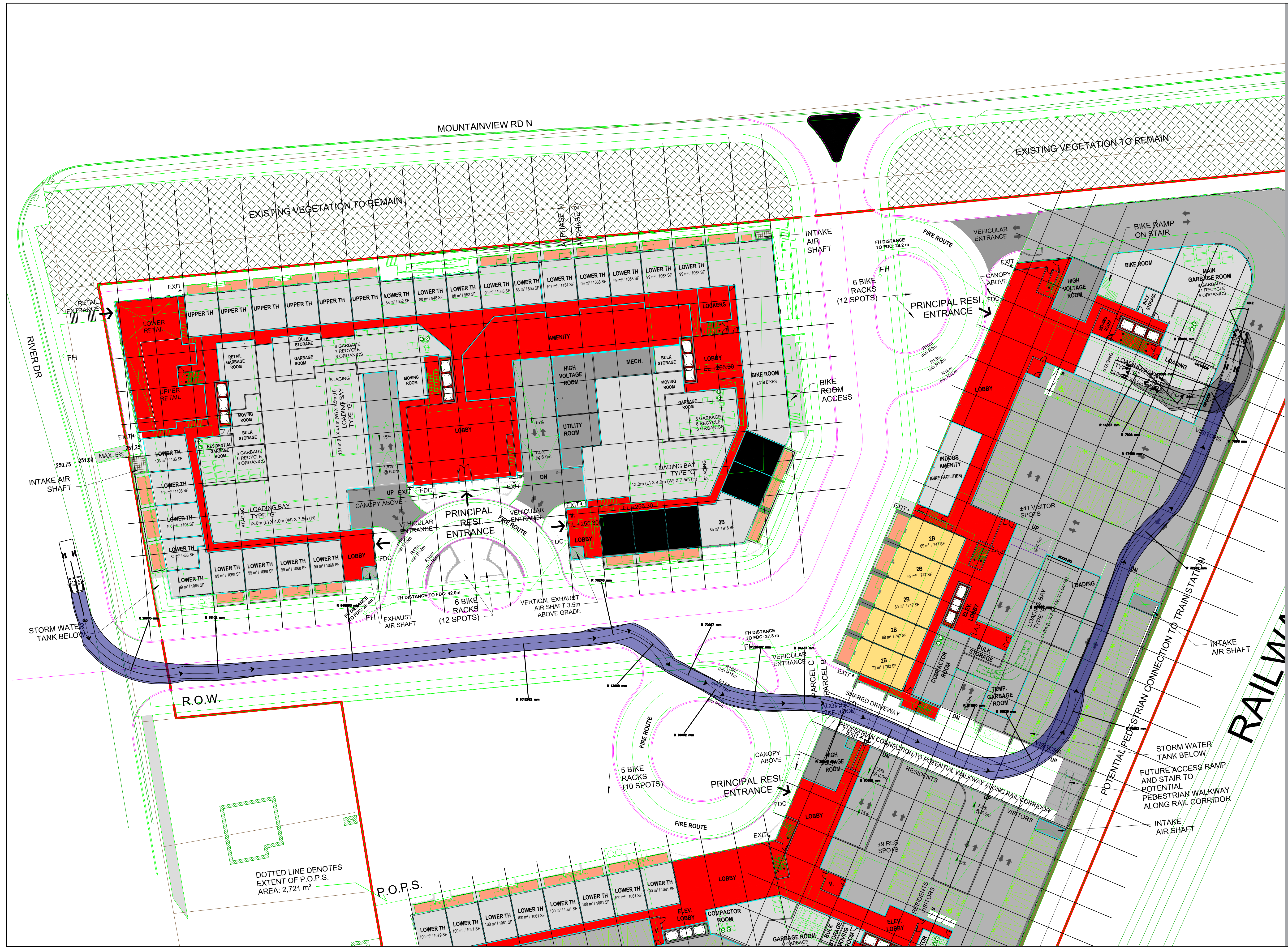
Project No.

Title

VEHICLE MANEUVERING DIAGRAM - MSU (INBOUND 5)

Size ANSI D

Sheet No. AT-116



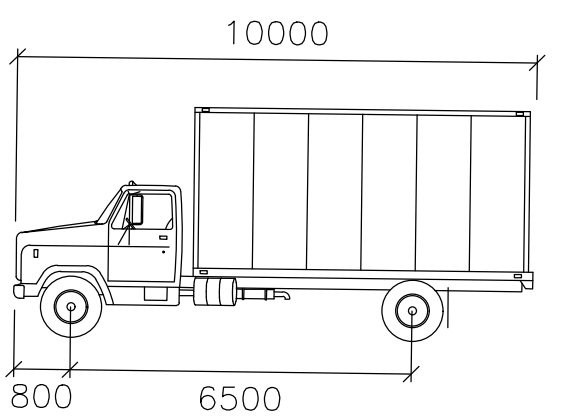
DOTTED LINE DENOTES EXTENT OF P.O.P.S. AREA: 2,721 m²



www.ghd.com

GHD Ltd.
111 Brunel Road, Suite 200
Mississauga, Ontario L4Z 1X3 Canada
T 1 905 712 0510 F 1 905 712 0515

Conditions of Use
This document and the ideas and designs incorporated herein, as an instrument of professional service, is the property of GHD. This document may only be used by GHD's client (and any other person who GHD has agreed can use this document) for the purpose for which it was prepared and must not be used by any other person or for any other purpose.



MSU
Width : 2600 mm
Track : 2600 mm
Lock to Lock Time : 6.0
Steering Angle : 40.2

1	First Submission	W.M	W.M	12/10/24
No.	Issue	Checked	Approved	Date
Author	S.B	Designer	S.B	
Drafting Check	W.M	Design Check	W.M	
Project Manager	W.M	Project Director	W.M	

Client

Project
130 Mountainview Road North

Date December 10, 2024 Scale NTS

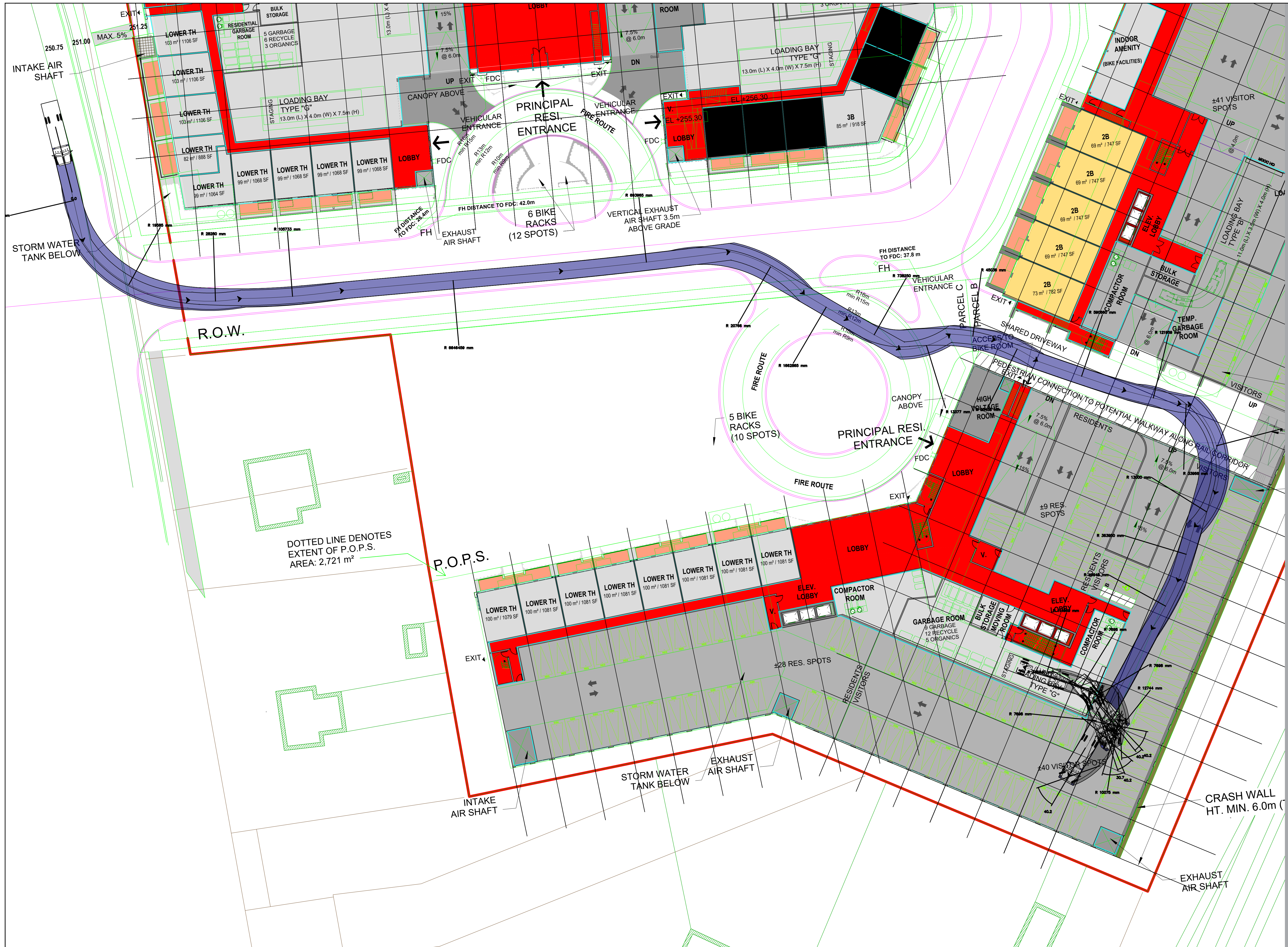
Project No.

Title
VEHICLE MANEUVERING DIAGRAM - MSU (OUTBOUND 5)

Size
ANSI D
Sheet No.
AT-117



DOTTED LINE DENOTES EXTENT OF P.O.P.S. AREA: 2,721 m²

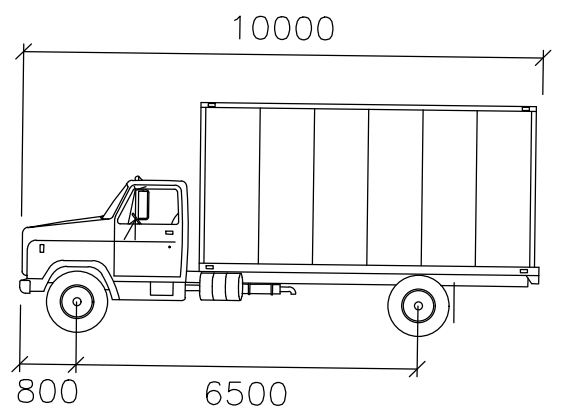




www.ghd.com

GHD Ltd.
111 Brunel Road, Suite 200
Mississauga, Ontario L4Z 1X3 Canada
T 1 905 712 0510 F 1 905 712 0515

Conditions of Use
This document and the ideas and designs incorporated herein, as an instrument of professional service, is the property of GHD. This document may only be used by GHD's client (and any other person who GHD has agreed can use this document) for the purpose for which it was prepared and must not be used by any other person or for any other purpose.



MSU

Width : 2600
Track : 2600
Lock to Lock Time : 6.0
Steering Angle : 40.2

No.	Issue	Checked	W.M	W.M	12/10/24
1	First Submission				

Author	S.B	Designer	S.B
Drafting Check	W.M	Design Check	W.M
Project Manager	W.M	Project Director	W.M
Client			
Project	130 Mountainview Road North		

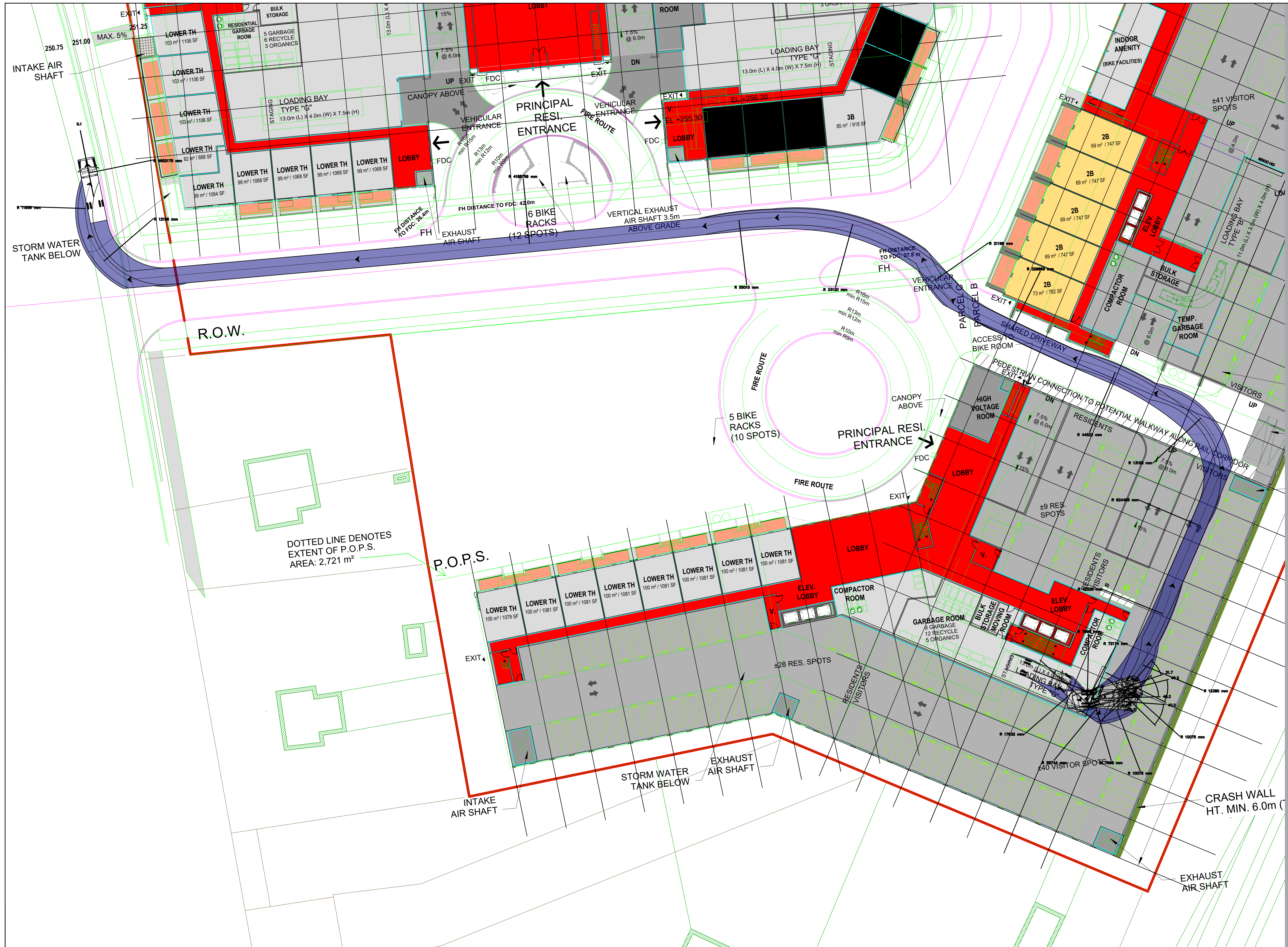
Date: December 10, 2024 Scale: NTS

Project No. _____

Title: **VEHICLE MANEUVERING DIAGRAM - MSU (INBOUND 6)**

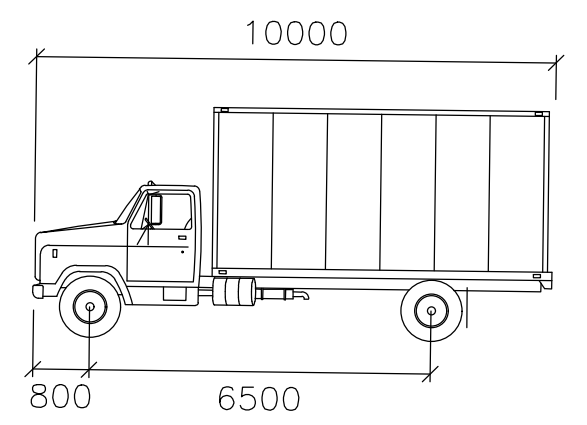
Size: ANSI D

Sheet No. AT-118



GHD
 111 Brunel Road, Suite 200
 Mississauga, Ontario L4Z 1X3 Canada
 T 1 905 712 0510 F 1 905 712 0515

Conditions of Use
 This document and the ideas and designs incorporated herein, as an instrument of professional service, is the property of GHD. This document may only be used by GHD's client (and any other person who GHD has agreed can use this document) for the purpose for which it was prepared and must not be used by any other person or for any other purpose.



Width	: 2600
Track	: 2600
Lock to Lock Time	: 6.0
Steering Angle	: 40.2

1	First Submission	W.M	W.M	12/10/24
No.	Issue	Checked	Approved	Date
Author	S.B	Designer	S.B	
Drafting	W.M	Design	W.M	
Check		Check		
Project Manager	W.M	Project Director	W.M	

Client: -

Project: 130 Mountainview Road North

Date: December 10, 2024 Scale: NTS

Title: VEHICLE MANEUVERING DIAGRAM - MSU (OUTBOUND 6)

Size: ANSI D

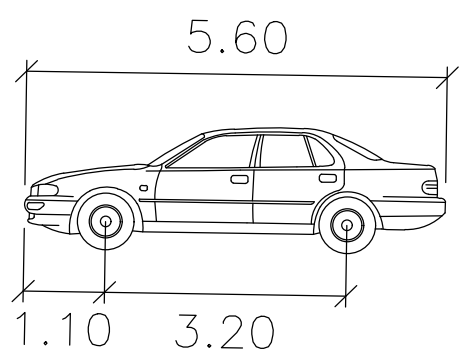
Sheet No.: AT-119



www.ghd.com

GHD Ltd.
111 Brunel Road, Suite 200
Mississauga, Ontario L4Z 1X3 Canada
T 1 905 712 0510 F 1 905 712 0515

Conditions of Use
This document and the ideas and designs incorporated herein, as an instrument of professional service, is the property of GHD. This document may only be used by GHD's client (and any other person who GHD has agreed can use this document) for the purpose for which it was prepared and must not be used by any other person or for any other purpose.

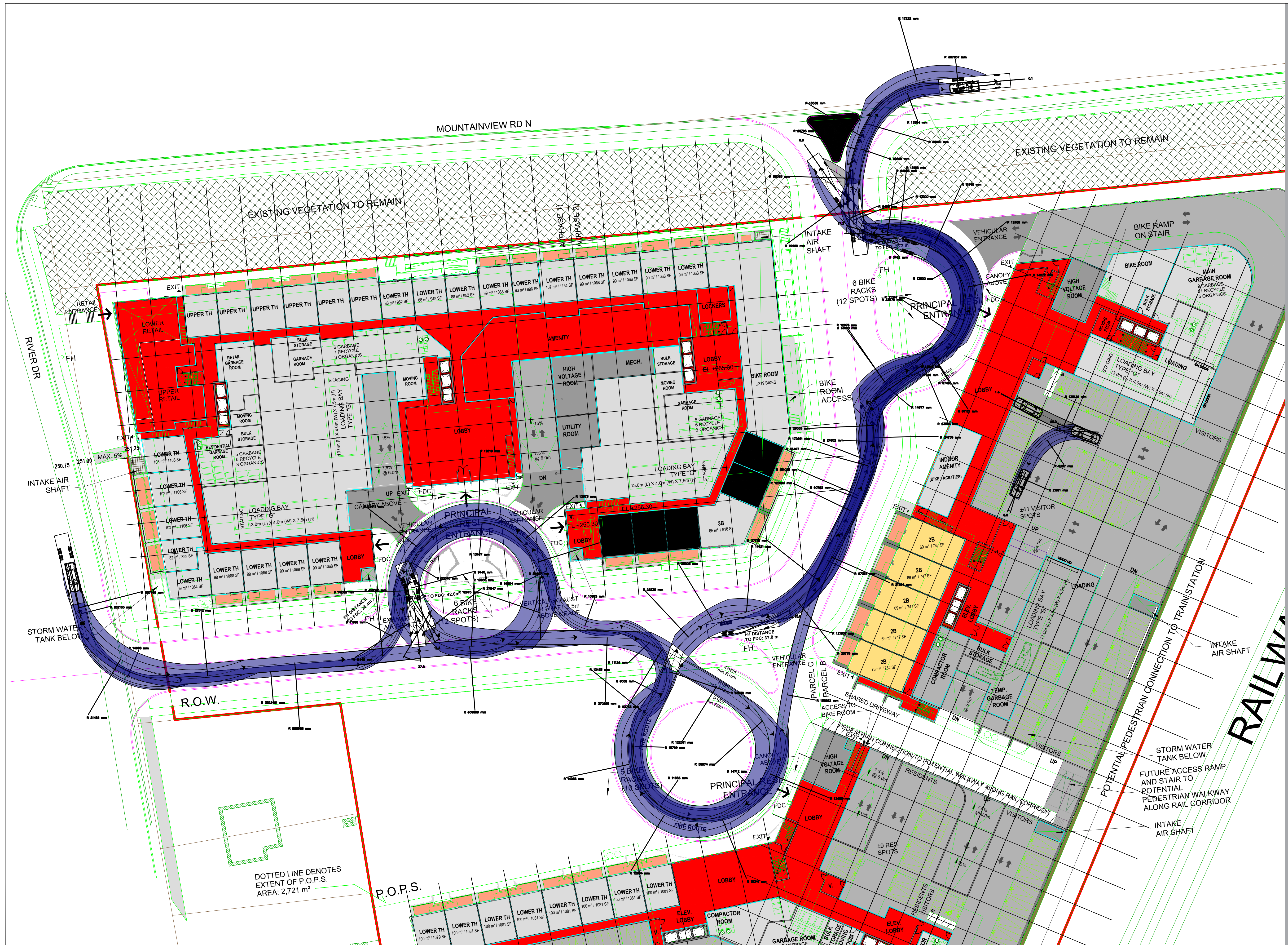


P
Width : 2.00 meters
Track : 2.00
Lock to Lock Time : 6.0
Steering Angle : 35.9

1	First Submission	W.M	W.M	12/10/24
No.	Issue	Checked	Approved	Date
Author	S.B	Designer	S.B	
Drafting Check	W.M	Design Check	W.M	
Project Manager	W.M	Project Director	W.M	
Client				
Project	130 Mountainview Road North			
Date	December 10, 2024	Scale	NTS	
Project No.				

Title
VEHICLE MANEUVERING DIAGRAM - PASSENGER CAR (CIRCULATION)
Size
ANSI D

Sheet No.
AT-120

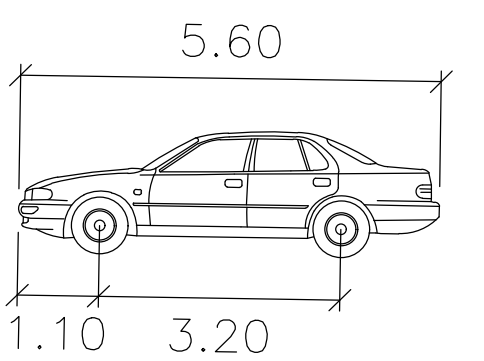




www.ghd.com

GHD Ltd.
111 Brunel Road, Suite 200
Mississauga, Ontario L4Z 1X3 Canada
T 1 905 712 0510 F 1 905 712 0515

Conditions of Use
This document and the ideas and designs incorporated herein, as an instrument of professional service, is the property of GHD. This document may only be used by GHD's client (and any other person who GHD has agreed can use this document) for the purpose for which it was prepared and must not be used by any other person or for any other purpose.



P
Width : 2.00 meters
Track : 2.00
Lock to Lock Time : 6.0
Steering Angle : 35.9

No.	Issue	Checked	W.M	W.M	Approved	Date
1	First Submission					12/10/24

Author S.B Designer S.B
Drafting Check W.M Design Check W.M
Project Manager W.M Project Director W.M

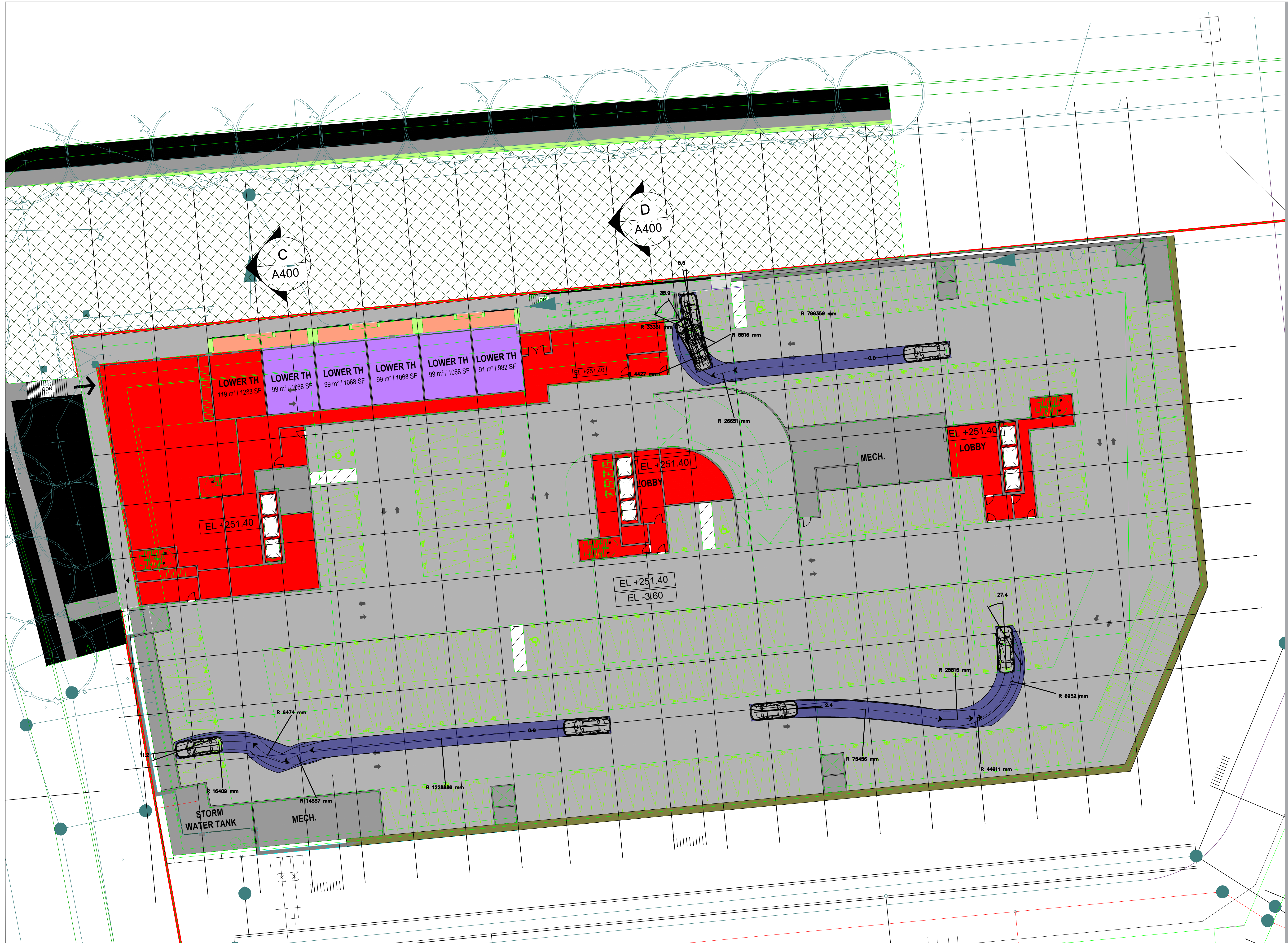
Client -
Project 130 Mountainview Road North

Date December 10, 2024 Scale NTS

Project No. -

Title VEHICLE MANEUVERING DIAGRAM - PASSENGER CAR (PARKING INBOUND) Size ANSI D

Sheet No. AT-121

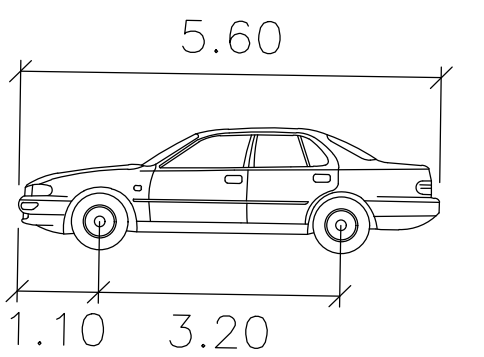




www.ghd.com

GHD Ltd.
111 Brunel Road, Suite 200
Mississauga, Ontario L4Z 1X3 Canada
T 1 905 712 0510 F 1 905 712 0515

Conditions of Use
This document and the ideas and designs incorporated herein, as an instrument of professional service, is the property of GHD. This document may only be used by GHD's client (and any other person who GHD has agreed can use this document) for the purpose for which it was prepared and must not be used by any other person or for any other purpose.



P
Width : 2.00 meters
Track : 2.00
Lock to Lock Time : 6.0
Steering Angle : 35.9

No.	Issue	Checked	Approved	Date
1	First Submission	W.M	W.M	12/10/24

Author S.B Designer S.B
Drafting Check W.M Design Check W.M
Project Manager W.M Project Director W.M

Project
130 Mountainview Road North

Date December 10, 2024 Scale NTS

Project No.

Title
VEHICLE MANEUVERING
DIAGRAM -
PASSENGER CAR
(PARKING OUTBOUND)

Size
ANSI D
Sheet No.
AT-122

